

Application

The half light fixture is design for the combination with the circular sight glass ø 65 mm.

Material

Stainless steel EN 1.4301.
Complete unit, as supplied,

Technical Data

- Voltage: 24 V DC
- Watts: 20 W

Machinery Directive

Directive 2006/42/EC

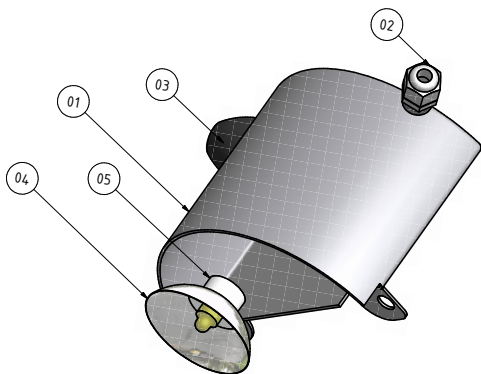
Harmonized standards

EN-ISO 12100-1/2 - Safety of machinery

DS/EN ISO 14121-1 - Machine risk assessment calculator

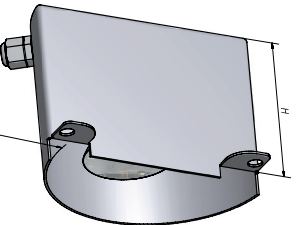
Dimensions

Dimension in mm



Exploded view

LightningFixture		
D	H	Step file
Ø 100	65	0142



Item no.	Parts no.	Quantity	Description	Material	Remarks
01		1	House	EN 1.4301	
02		1	Cable connection PG7	-	RS206-6080
03	18999320	1	Pressure switch	Rubber	H. Christiansen
04	41930	1	Reflector – Osram Halospot	-	24 V DC / 20 W
05		1	Socket	-	Aagstucchi 218



Light Fixture
Ø 65 mm

Complete unit, as supplied.

STEP File Extension

This Item is available for download in STEP-file format on company homepage. The STEP-file format is the most widely used data exchange form, handling 3D-models from all the most common 3D applications on the market today.

Documentation

- Declaration of Incorporation
- Spare part list, with exploded view